



淮洋有限公司 HUI YANG CO., LTD.

TEL : 886-2-8261-8986 FAX : 886-2-8261-1885

www.hy1688.com.tw 236新北市土城區中央路二段191號10樓之5



Feature -

- 5 direction navigation cap
- panel mount and PCB module installation
- LED illumination

Application -

- consumer products
- computer products
- instrumentation
- communication equipments
- home appliances

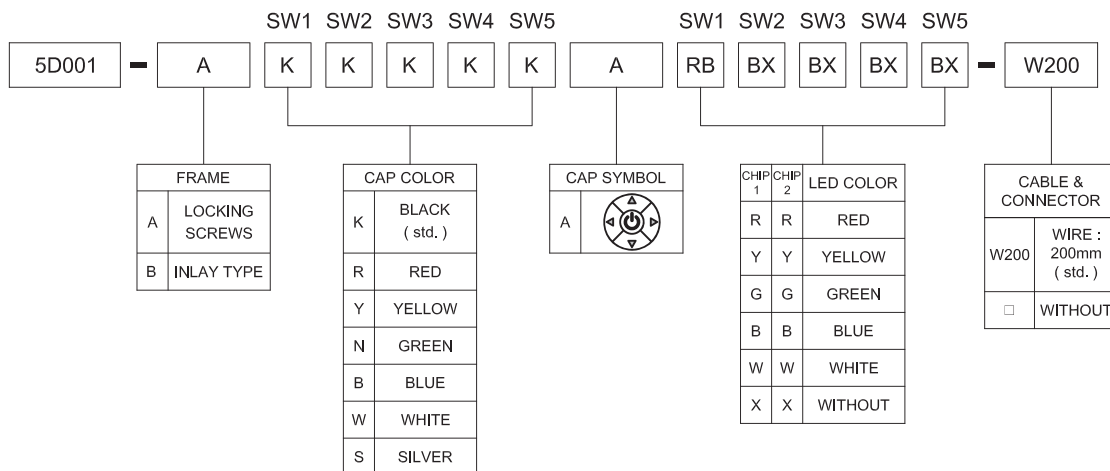
► SPECIFICATIONS

SWITCH SPECIFICATIONS	
POLE - POSITION	Momentary action , SPST
CONTACT RATING	12 V DC , 50 mA
CONTACT RESISTANCE	100 mΩ MAX. 5 V DC ; 1 A , by Method of Voltage DROP
INSULATION RESISTANCE	1000 MΩ MIN. 100 V DC for 1 minute
DIELECTRIC STRENGTH	Breakdown is not Allowable ; 250 V AC for 1 Minute
OPERATING FORCE	200 ± 80 gf ; 450 ± 150 gf
OPERATING LIFE	500,000 cycles
OPERATING TEMPERATURE RANGE	-20°C ~ 70°C
TOTAL TRAVEL	0.45 ± 0.15 mm

LED SPECIFICATIONS		Value / LED Color			
ATTENTION LEDs are Electrostatic Sensitive devices	Unit	Blue	Green	Red	Yellow
		FORWARD CURRENT If	20	20	20
REVERSE VOLTAGE Vr	V	5.0	5.0	5.0	5.0
REVERSE CURRENT Ir	μA	10	10	10	10
FORWARD VOLTAGE@20mA Vf	V	3.5-3.8	2.0-2.5	2.0-2.5	2.0-2.5
LUMINOUS INTENSITY@20mA Iv	mcd	45	20	80	80

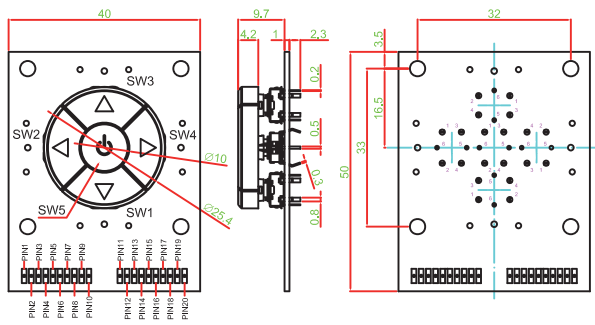
■ Physical and electrical information of LED will be provided upon customer's request on switches .

► HOW TO ORDER

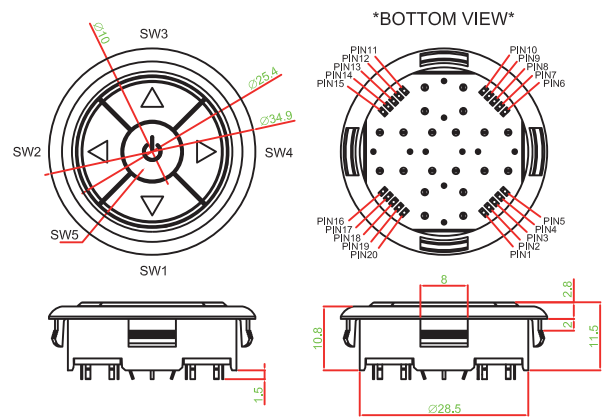


▶ FRAME TYPE OPTION

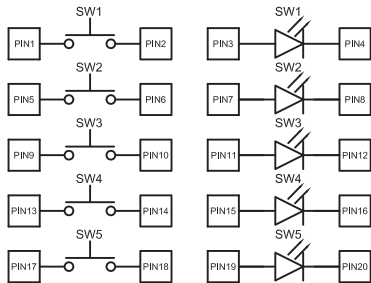
5D001-AKKKKKARXRXRXRXR



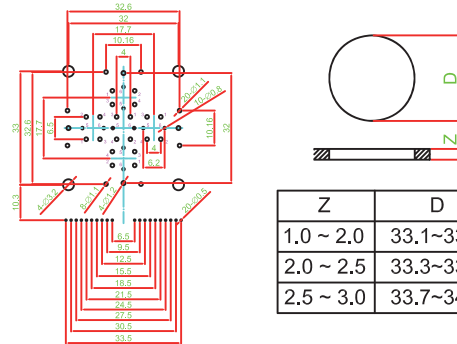
5D001-BKKKKKARXRXRXRXR



▶ CIRCUIT



▶ P.C.B LAYOUT & PANEL CUT OUT



▶ MATERIAL

- ACTUATOR - LCP
- TERMINAL - BRASS SILVER PLATING
- BASE - LCP
- SPRING PLATE - PHOSPHOR BRONZE SILVER PLATING
- HOUSING - PA
- PCB - FR4

Z	D
1.0 ~ 2.0	33.1~33.3
2.0 ~ 2.5	33.3~33.7
2.5 ~ 3.0	33.7~34.0